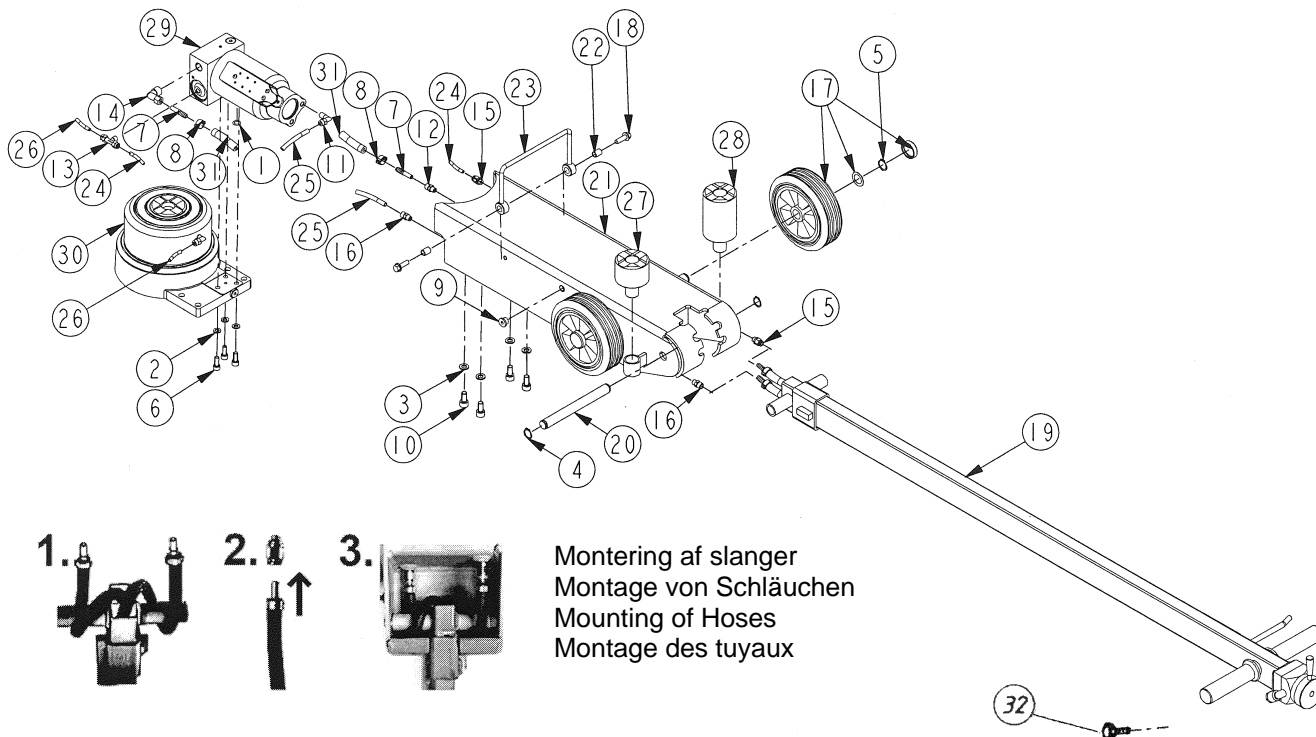


# A4422-C

G4 2005.31.12->

De angivne numre er udelukkende positionsnumre  
Die angegebenen Nummer sind Positionsnummer ausschließlich  
The numbers indicated are position numbers only.  
Les numéros indiqués sont de position uniquement

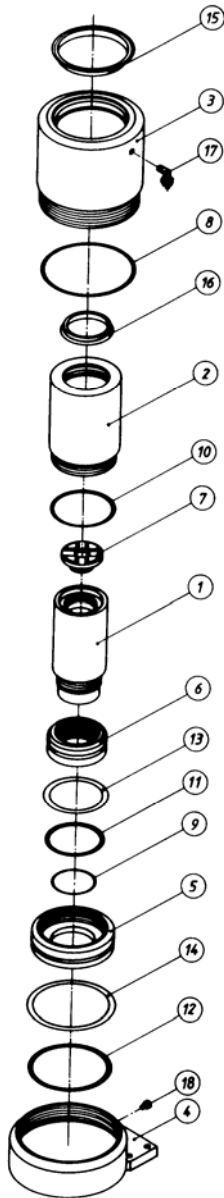


Montering af slanger  
Montage von Schläuchen  
Mounting of Hoses  
Montage des tuyaux

Pos.	No.	Dansk	Deutsch	English	Français
1	OZ01.000	O-ring	O-Ring	O-ring	Joint torique
2	OZ02.102	Fjederskive	Federscheibe	Spring washer	Rondelle élastique
3	OZ02.103	Fjederskive	Federscheibe	Spring washer	Rondelle élastique
4	OZ02.204	Låsering	Seegerring	Circlip	Circlips
5	OZ02.222	Låsering	Seegerring	Circlip	Circlips
6	OZ02.306	Skruer	Schraube	Screw	Vis
7	OZ02.418	Slangestuds	Stutzen f. schlauch	Pipe branch	Tubulure pour tube
8	OZ02.421	Slangeklemme	Schlauchklemme	Hose clamp	Collier de la conduite
9	OZ02.470	Påfyldningskrue	Füllschraube	Filling plug	Bouchon de remplissage
10	OZ02.485	Skruer	Schraube	Screw	Vis
11	OZ02.495	Fitting	Fitting	Fitting	Raccord
12	OZ02.498	Forskruning	Verschraubung	Gland	Raccord
13	OZ02.505	Fitting	Fitting	Fitting	Raccord
14	OZ02.510	Fitting	Fitting	Fitting	Raccord
15	OZ02.512	Fitting	Fitting	Fitting	Raccord
16	OZ02.516	Fitting	Fitting	Fitting	Raccord
17	OZ02.367	Hjul	Rad	Wheel	Roue
18	OZ02.520	Skruer	Schraube	Screw	Vis
19	OZ44.001	Håndtag, komplet	Hebel, komplett	Handle, complete	Levier, complet
20	OZ44.005	Håndtagsaksel	Hebelachse	Axle for handle	Axe levier
21	OZ44.207	Ramme, komplet	Rahmen, kompl.	Frame, compl.	Cadre, complet
22	OZ44.008	Bøsning	Buchse	Bushing	Manchon
23	OZ44.009	Bærehåndtag	Traghebel	Carrying handle	Levier portant
24	OZ44.010	Slange ø6	Schlauch ø6	Hose ø6	Tuyau ø6
25	OZ44.012	Slange ø8	Schlauch ø8	Hose ø8	Tuyau ø8
26	OZ44.013	Slange ø 6 for cylinder	Schlauch ø 6 für Zylinder	Hose ø 6 for cylinder	Tuyau ø 6 pour cylindre
27	OZ44.016	Forlænger	Verlängerung	Extension	Rallonge
28	OZ44.017	Forlænger	Verlängerung	Extension	Rallonge
29	OZ90.725-30	Pumpe	Pumpe	Pump	Pompe
30	OZ90.740	Cylinder	Zylinder	Cylinder	Cylindre
31	OZ90.880-32	Slange ¼"	Schlauch ¼"	Hose ¼"	Tuyau ¼"
32	001216	Lynkobling	Schnellkupplung	Coupling	Raccord rapide

# Cylinder / Zylinder / Cylinder / Cylindre

## OZ90.740

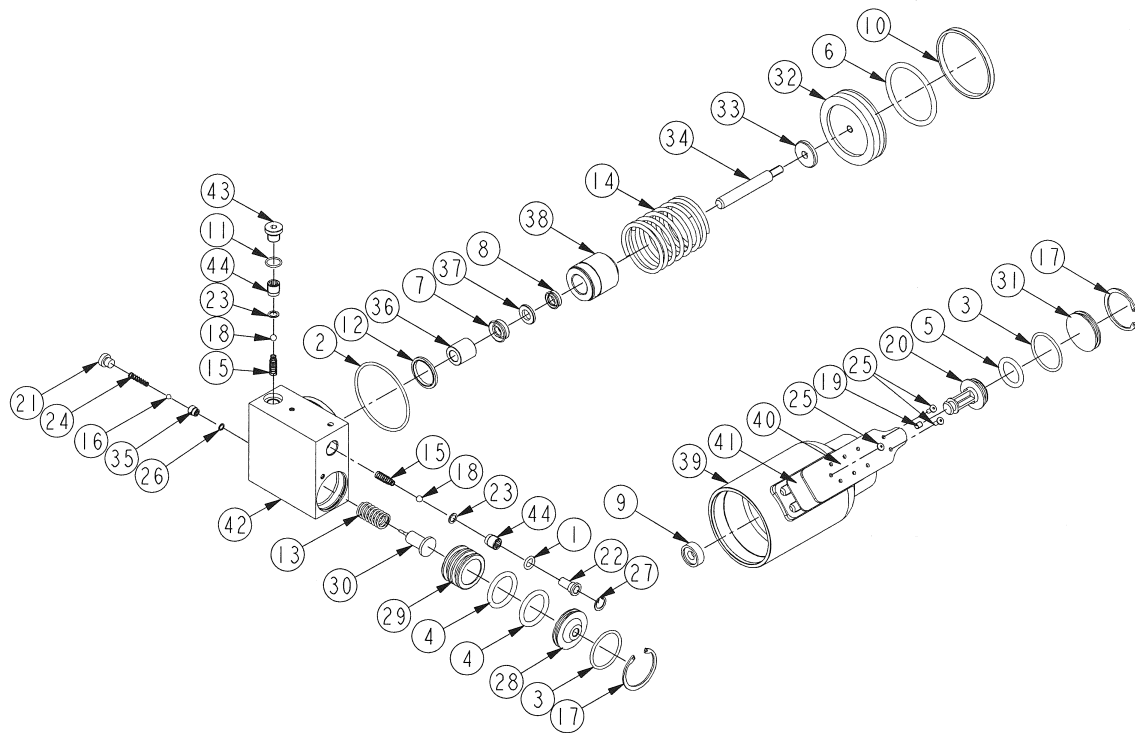


Anvend altid originale reservedele  
 Immer nur Originalteile anwenden.  
 Do always apply original spare parts  
 Il faut toujours utiliser les pièces de rechange d'origine

Pos.	No.	Dansk	Deutsch	English	Français
1	OZ90.741	Stempelstok	Kolbenstange	Piston rod	Tige de piston
2	OZ90.742	Mellemcylinder	Mittelzylinder	Middle cylinder	Entre cylindre
3	OZ90.743	Hovedcylinder	Hauptzylinder	Main cylinder	Maître cylindre
4	OZ90.731	Cylinderbund	Zylinderboden	Cylinder bottom	Fond de cylindre
5	OZ90.732	Stempel	Kolben	Piston	Piston
6	OZ90.733	Stempel	Kolben	Piston	Piston
7	OZ90.737	Sadel	Sattel	Saddle	Selle
8	OZ01.022	O-ring	O-Ring	O-ring	Joint torique
9	OZ01.031	O-ring	O-Ring	O-ring	Joint torique
*10	OZ01.042	O-ring	O-Ring	O-ring	Joint torique
*11	OZ01.081	O-ring	O-Ring	O-ring	Joint torique
*12	OZ01.082	O-ring	O-Ring	O-ring	Joint torique
*13	OZ01.153	Støttering	Stützring	Back-up ring	Joint supporter
*13	OZ01.154	Støttering	Stützring	Back-up ring	Joint supporter
*14	OZ01.278	Afstryger	Abstreifer	Scraper ring	Racleur
*15	OZ01.287	Afstryger	Abstreifer	Scraper ring	Racleur
16	OZ02.493	Forskruning	Verschraubung	Gland	Raccord
17	OZ02.584	Prop	Pfropfen	Plug	Bouchon
	OZ09.034	Pakningssæt	Dichtungssatz	Repair kit	Jeu de réparation
*		Indeholdt i pakningssæt	Im Dichtungssatz enthalten	Contained in the repair kit	Contenu dans le jeu de joint

# Pumpe / Pumpe / Pump / Pompe

## OZ90.725-30

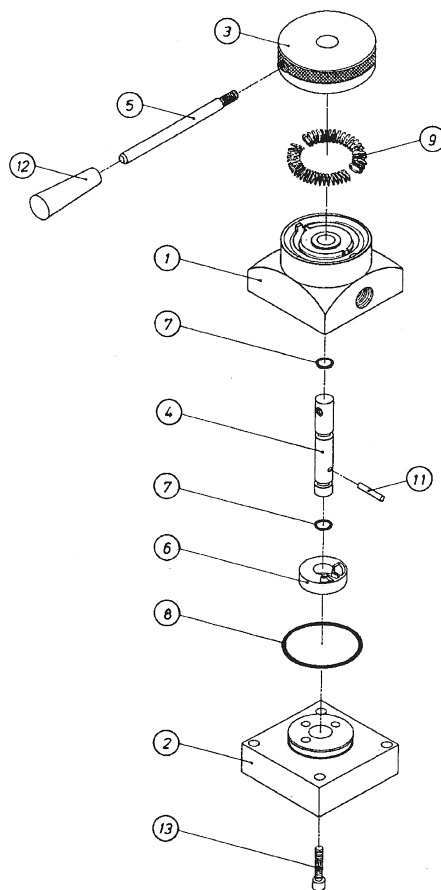


Pos.	No.	Dansk	Deutsch	English	Français
*1	OZ01.000	O-ring	O-Ring	O-ring	Joint torique
*2	OZ01.007	O-ring	O-Ring	O-ring	Joint torique
*3	OZ01.034	O-ring	O-Ring	O-ring	Joint torique
*4	OZ01.044	O-ring	O-Ring	O-ring	Joint torique
*5	OZ01.045	O-ring	O-Ring	O-ring	Joint torique
*6	OZ01.046	O-ring	O-Ring	O-ring	Joint torique
*7	OZ01.114	Pakning	Dichtung	Seal	Joint
*8	OZ01.126	Pakning	Dichtung	Seal	Joint
*9	OZ01.160	Pakning f.skifteventil	Dichtung für Wechselventil	Seal for change valve	Joint de soupape à deux voies
*10	OZ01.175	Pakning, glydring	Dichtung, Glydring	Seal, glydring	Joint, glyd
*11	OZ01.239	O-ring	O-Ring	O-ring	Joint torique
*12	OZ01.245	Bondy-seal	Bondy-seal	Bondy-seal	Anneau de joint
13	OZ02.046	Fjeder	Feder	Spring	Ressort
14	OZ02.047	Fjeder	Feder	Spring	Ressort
15	OZ02.068	Fjeder	Feder	Spring	Ressort
*16	OZ02.164	Kugle, ø5	Kugel, ø5	Ball, ø5	Bille, ø5
17	OZ02.220	Seegerring	Seegerring	Circlip	Circlipps
*18	OZ02.292	Kugle, ø6,5	Kugel, ø6,5	Ball, ø6,5	Bille, ø6,5
19	OZ02.301	Pinolskrue	Reitstockschrube	Pointed screw	Vis pointue
20	OZ02.385	Skifteventil	Wechselventil	Change valve	Soupape à deux voies
21	OZ02.483	Prop	Pfropfen	Plug	Bouchon
*22	OZ02.511	Filter	Filter	Filter	Filtre
*23	OZ02.743	CU skive	CU schiebe	CU disc	CU disque
24	OZ02.753	Fjeder	Feder	Spring	Ressort
25	OZ02.755	Skrue	Schrube	Screw	Vis
*26	OZ02.831	CU skive	CU schiebe	CU disc	CU disque
27	OZ02.931	Låsering	Seegerring	Circlip	Circlips
28	OZ90.253	Udløserdæksel	Auslöserdeckel	Release cover	Couvercle dé compression
29	OZ90.254	Udløserstempel	Auslöserkolben	Release piston	Piston décompression
30	OZ90.255-10	Udløsertap	Auslöserzapfen	Release pin	Tourillon décompression
31	OZ90.257	Dæksel f. skifteventil	Deckel for Wechselventil	Cover for change valve	Couvercle de soupape à deux voies
32	OZ90.258	Luftstempel	Luftkolben	Air piston	Piston à air
33	OZ90.259	Skive	Scheibe	Washer	Rondelle

34	0Z90.260	Pumpeempel	Pumpkolben	Plunger	Piston de pompe
*35	0Z90.695	Ventilindsats 1/8" ø2	Ventileinsatz 1/8" ø2	Valve cartridge 1/8" ø2	Douille 1/8" ø2
36	0Z90.704	Afstandsbøsning	Abstandsbüchse	Distance sleeve	Douille entretoise
37	0Z90.705	Stempelstyr	Kolbensteuerung	Plunger guiding	Guide de piston
38	0Z90.707	Pakmøtrik	Packungmutter	Packing nut	Écrou de presse-étoupe
39	0Z90.709-10	Luftcylinder	Luftzylinder	Air cylinder	Cylindre compression
40	0Z90.709-11	Dæksel	Deckel	Cover	Couvercle
41	0Z90.709-12	Pakning	Dichtung	Seal	Joint
42	0Z90.729	Alu. Pumpeblok	Pumpenblock	Pump block	Bloc de pompe
43	0Z91.077	Prop	Pfropfen	Plug	Bouchon
*44	0Z91.128	Ventilindsats 1/8" ø2	Ventileinsatz 1/8" ø2	Valve cartridge 1/8" ø2	Douille 1/8" ø2
*	0Z09.061	Pakningsæt	Dichtungssatz	Repair kit	Jeu de réparation

# Betjeningsventil / Steuerventil / Control valve / Soupape de commande

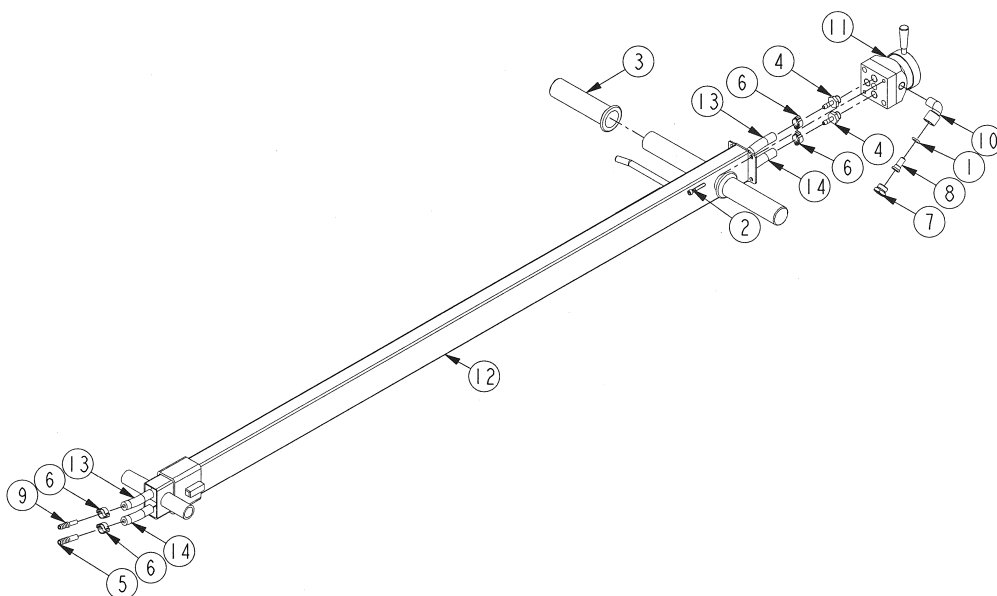
## OZ42.000



Pos.	No.	Dansk	Deutsch	English	Français
1	OZ42 001	Ventiloverpart	Ventiloberteil	Valve, upper part	Soupape, dessus
2	OZ42 002	Ventilunderpart	Ventilunterteil	Valve, lower part	Soupape, bas
3	OZ42 003	Drejehåndtag	Drehscheibe	Twist grip	Poignée de direction
4	OZ42 004	Ventilspindel	Ventilspindel	Valve stem	Broche de soupape
5	OZ42 005	Håndtagsaksel	Achse für Drehscheibe	Axle for handle	Axe de la poignée
6	OZ42 006	Ventilglider	Ventilschieber	Slide valve	Glissière de soupape
7	OZ01 057	O-ring	O-Ring	O-ring	Joint torique
8	OZ01 058	O-ring	O-Ring	O-ring	Joint torique
9	OZ02 064	Fjeder	Feder	Spring	Ressort
11	OZ02 277	Stift, ø3	Stift, ø3	Tack, ø3	Goupille, ø3
12	OZ02 086	Plastgreb	Plastik-Handgriff	Plastic handle	Poignée en plastique
13	OZ02 302	Skruer	Schraube	Screw	Vis

# Håndtag / Hebel / Handle / Levier

## OZ44.001



Pos.	No.	Dansk	Deutsch	English	Français
1	OZ01.000	O-ring	O-Ring	O-ring	Joint torique
2	OZ02.324	Skruer	Schraube	Screw	Vis
3	OZ02.390	Håndtag	Hebel	Handle	Levier
4	OZ02.414	Slangestuds	Stutzen f. schlauch	Pipe branch	Tubulure pour tube
5	OZ02.418	Slangestuds	Stutzen f. schlauch	Pipe branch	Tubulure pour tube
6	OZ02.421	Slangeklemme	Schlauchklemme	Hose clamp	Collier de la conduite
7	OZ02.506	Fitting	Fitting	Fitting	Raccord
8	OZ02.511	Filter	Filter	Filter	Filtre
9	OZ02.514	Slangestuds	Stutzen f. schlauch	Pipe branch	Tubulure pour tube
10	OZ02.515	Fitting	Fitting	Fitting	Raccord
11	OZ42.000	Betjeningsventil	Manövriventil	Manoeuvring valve	Manoeuvre de la valve
12	OZ44.002	Fast håndtag	Hebel, fest	Fixed handle	Levier fixe
13	OZ90.881-54	Slange	Schlauch	Hose	Tuyau
14	OZ90.881-59	Slange	Schlauch	Hose	Tuyau