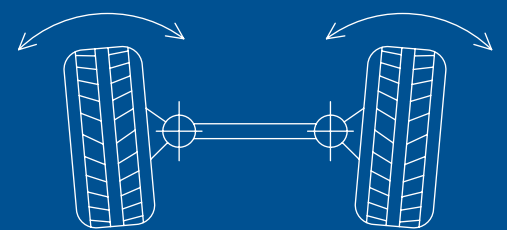
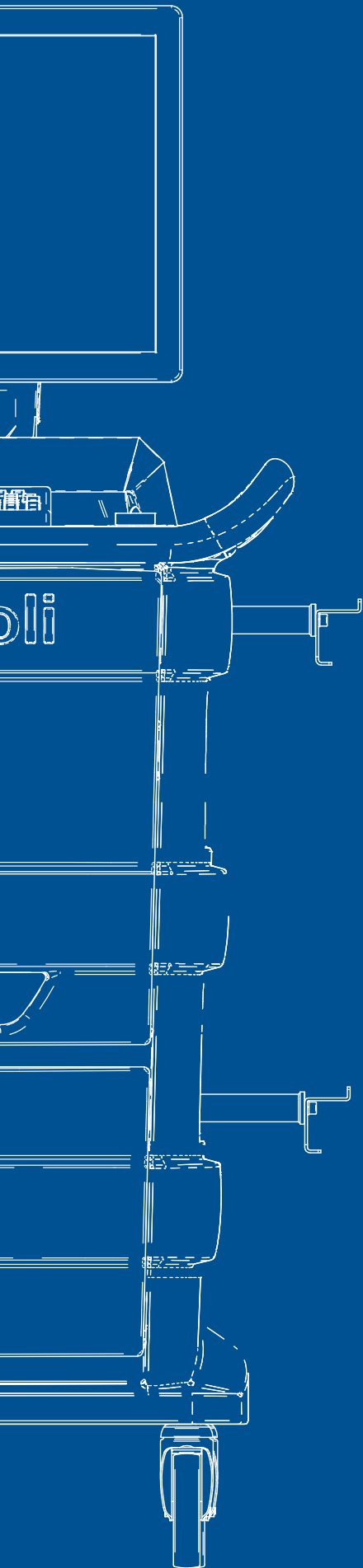


TD3200 Series The New Power of 3D Aligners





Accurate precision:

3D measuring heads with
HQ resolution

Flexibility of use:

enclosure with flexibility in
movement and extremely
small and lightweight 3D
measuring heads

Smart technology:

intuitive software



The **TD3200** Series is the second generation of Ravaglioli 3D wheel aligners.

Its **innovative system of totally wireless 3D cameras** with Bluetooth transmission can be used on different types of lifts thanks to its automatic flatness compensation.


Its **compact size** also makes it suitable for those workshops having limited space.



System integrated with lift.

System with 3D measuring heads directly connected to the lift, in this way eliminating the space occupied by the tower in front of the lift.



 Bluetooth communication between the 3D measuring heads and console.

More efficient workshop in terms of space and operations:



NO OBSTACLE
Maximization of the available workspace.



RAPID WORK
Fast acquisition of vehicle alignment data.



MINIMUM EFFORT
Run out compensation not required.



NO LIMITS
One aligner for multiple working bays.

Features of the 3D measuring heads:



LCD display for primary information



Five keys for software navigation, also remote controllable



5MP resolution for measurement and compensation of the lifting platform level



Remote control function




LED repeaters to assist recording



Only one head installation position to measure different wheelbase vehicles



Weight 3 kg



Battery with quick release system.

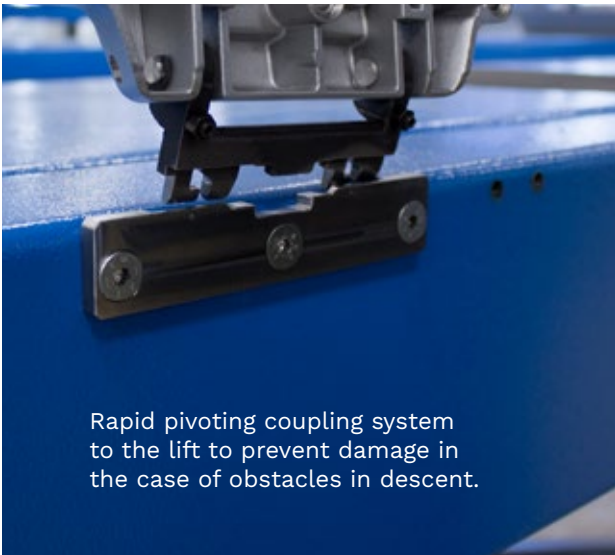
The battery charge lasts



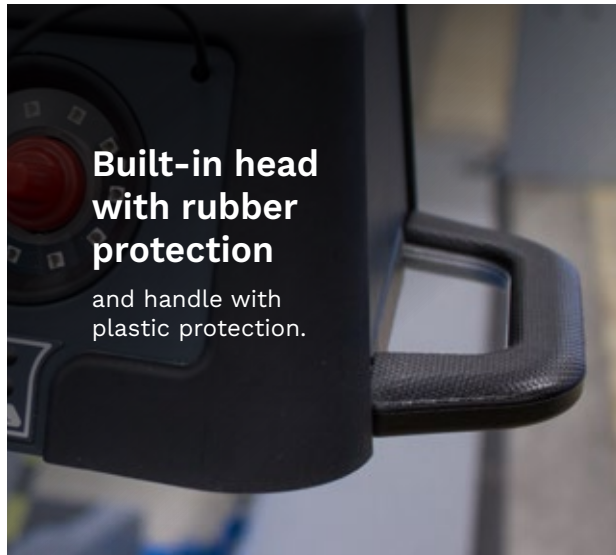
8

HOURS

to permit extended full day activity.



Rapid pivoting coupling system to the lift to prevent damage in the case of obstacles in descent.



Built-in head with rubber protection

and handle with plastic protection.



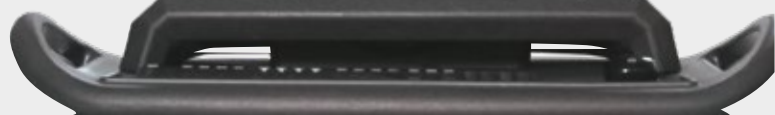
Dedicated compartments

for storing the 3D measuring heads.
(Model RAVTD3200HPR-HP and RAVTD3200SP)



Management software and display

in Windows environment, always connected with the Wi-fi USB flash drive. Simple and intuitive thanks to high resolution graphics.



MODEL OVERVIEW

STANDARD EQUIPMENT

	Item no.	Colour	Cabinet	Clamps
RAVTD3200HPR.3	RAV.D32HP.700926	RAL5005	closed	3-point
RAVTD3200HPR.3	RAV.D32HP.700933	RAL7040	closed	3-point
RAVTD3200HP.3	RAV.D32HP.700940	RAL5005	closed	3-point
RAVTD3200HP.3	RAV.D32HP.700957	RAL7040	closed	3-point
RAVTD3200SP.3	RAV.D32SP.700902	RAL5005	closed	3-point
RAVTD3200SP.3	RAV.D32SP.700919	RAL7040	closed	3-point
RAVTD3200SP.4	RAV.D32SP.700988	RAL5005	closed	4-point
RAVTD3200SP.4	RAV.D32SP.700995	RAL7040	closed	4-point
RAVTD3200L.3	RAV.D32LT.700964	RAL7040	open	3-point
RAVTD3200L.4	RAV.D32LT.700971	RAL7040	open	4-point



Cabinets closed
with doors fitted
with dampers.



Optimised space
for storing
equipment.

Screen 27".

**Easy to reach
battery charger.**

Compartment
for storing
keyboard and
mouse.

Compartment
for **printer**
(included).

**Large
handles.**

Wheel diameter
125 mm.

Model
RAVTD3200HPR-HP



Screen 22".

**Easy to reach
battery charger.**

Compartment
for storing
keyboard.

Compartment
for **printer**
(included).

**Large
handles.**

Wheel diameter
100 mm.

Model
RAVTD3200SP



Screen 22".

Cabinet
opened
with very light
movements.

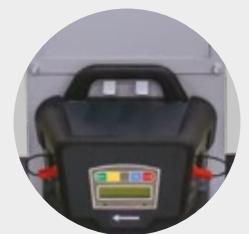
**Optimised
space**
for storing
equipment.

**Easy to reach
battery charger.**

Dedicated hooks
for storing the 3D
measuring heads.

Wheel diameter
100 mm.

Model
RAVTD3200L





International data bank

with vehicle technical data sheets and possibility to create a customer data bank for adjustment recording.



Compatible with system
TEeq-Link
connected workshop



INTERNET CONNECTION
Sending results to the customers.
Remote assistance.

Quick and accurate measurement.

The 3D measuring heads instantly read all vehicle angles with maximum precision.

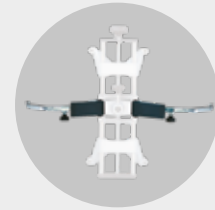
Two types of clamps available:



Set of 4 **self-centring 3-point** clamps requiring no compensation.*



Set of 4 self-centring **4-point clamps.**

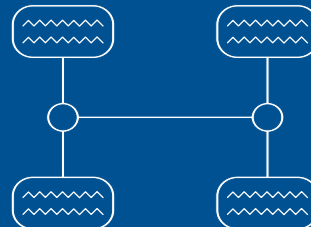


+ **STDA38K** allows you to avoid run out compensation. (Optional for self-centring 4-point clamps)

*Equipped with a rapid movement system and ABS claws; no metal on metal contact.

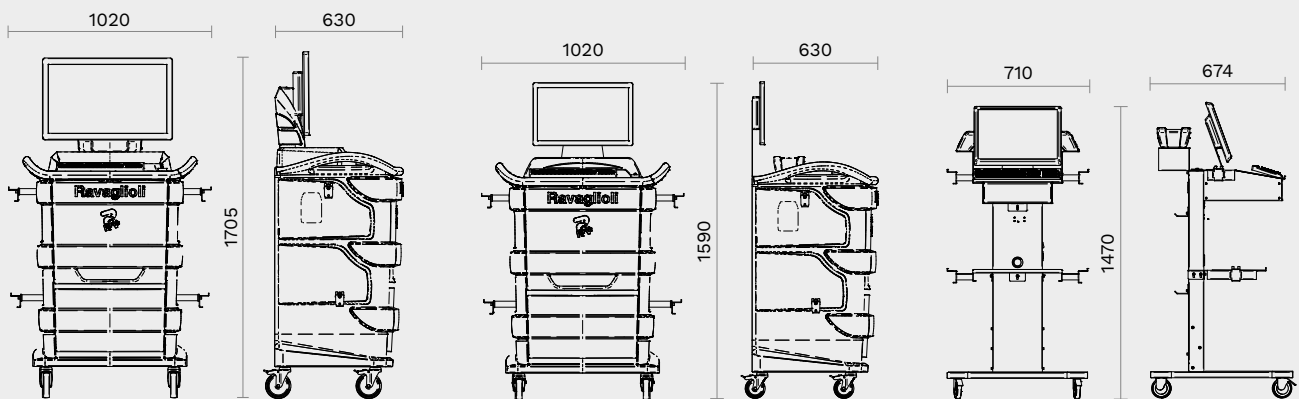


The **3D targets** installed on the clamps are extremely **lightweight**, maintenance-free and have no electronic components.



Thanks to the **Real 3D targets**, combined with the supporting 3 and 4-point clamps, the run out compensation procedure can be skipped to speed up the operator's activity and maximize workshop efficiency.

Technical data



	RAVTD3200 HPR-HP SP L
Individual toe front/rear axle	+/- 20°
Total toe	+/- 20°
Toe-out on turns	+/- 20°
Camber front/rear axle	+/- 10°
Caster	+/- 18°
SAI	+/- 18°
Set-back	+/- 5°
Set-back front axle	+/- 5°
Geometric centre line	+/- 5°
Thrust angle	+/- 5°
Max. steering angle	+/- 50°
Min. tyre size	8"
Max. tyre size	24"
Max. wheel diameter	910 mm
Max. wheel base	4.500 mm

Accessories



STDA161
Plastic steering wheel lock with non-slip rubber guards for steering wheel and seat.



STDA35E 8" - 24"
Pair of self-centring 3-point clamps, without compensation.



STDA33EU 10" - 24"
Pair of self-centring 4-point clamps, grabbing, including removable claws.



STDA158
WHEELALIGNMENT-ON
Wi-Fi antenna including USB key.

		RAVTD3200					
		HPR	HP	SP.3	SP.4	L.3	L.4
	STDA35E/3D Self-centring 3-point clamps with quick locking arms	S	S	S	-	S	-
	STDA33EU/3D 4-point clamps	-	-	-	S	-	S
	STDA38K Set of quick locking arms to upgrade 4-point clamps (4 pieces)	-	-	-	O	-	O
	STDA124 Pair of premium turn tables HD Ø 360 mm	S	S	O	O	O	O
	S110A7 Pair of standard turn tables Ø 300 mm	-	-	S	S	S	S
	STDA149 Kit of 4 spirit levels for targets	S	O	O	O	O	O
	STDA162 Kit of lift mounting brackets (2 pieces)	S	S	S	S	S	S
	STDA160 Kit containing 2 batteries	S	O	O	O	O	O
	STDA110 Vehicle data bank	S	S	S	S	S	S
	2 YEARS FREE Database update	S	-	-	-	-	-
	STDA141 Token (software licence) to use with on smartphones/tablets	S	O	O	O	O	O
	STDA141ADAS Advanced enabling of ADAS functions	S	O	O	O	O	O
	STDAShoot Token for consulting database on-line	O	O	O	O	O	O
	STDA PREMIUM Token for additional functions	S	S	O	O	O	O
	10479 Brake pedal depressor	S	S	S	S	S	S
	STDA161 Steering wheel lock	S	S	S	S	S	S
	STDA158 WHEELALIGNMENT-ON (Wi-fi USB flash drive included)	S	S	S	S	S	S

S Standard **O** Optional - Not applicable



RAV Italy

Vehicle Service Group Italy S.r.l.

Via Filippo Brunelleschi 9
44020 Ostellato (FE)
Italy

☎ +39.051.6781511
☎ +39.051.846349
✉ rav@ravaglioli.com

RAV France

RAV France SARL

4, Rue De La Longue Raie
ZAC de la Tremblaie
91220 Le Plessis Pâté
France

☎ +33.1.60.86.88.16
☎ +33.1.60.86.82.04
✉ rav@ravfrance.fr

RAV Germany

BlitzRotary GmbH

Hüfingener Straße 55
78199 Bräunlingen
Germany

☎ +49.771.9233.0
☎ +49.771.9233.99
✉ ravd@ravaglioli.com

RAV UK


Vehicle Service Group UK Ltd

3 Fourth Avenue,
Bluebridge Industrial Estate
Halstead, Essex, CO9 2SY
United Kingdom

☎ +44.1787.477711
☎ +44.1787.477720
✉ rav@ravaglioli.com

DRF20U(01)

Technical data and composition presented in this catalogue may vary.
Pictures reproduced are only indicative.
Photo credits: Technik Auto Service - Autoquip Garage Equipment / Brands Hatch

Member of VSG - Vehicle Service Group
a  company

